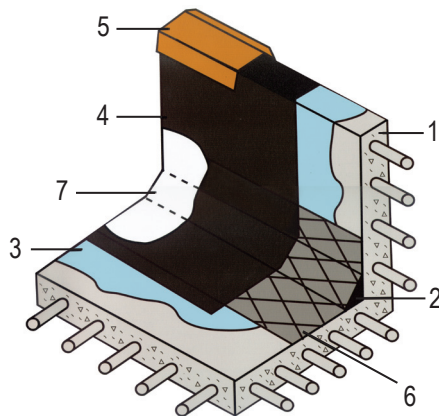


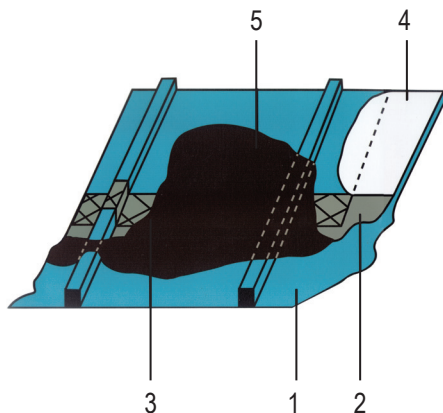


Typical Concrete Wall/Roof Deck Juncture Detail



1. Parapet Wall & Concrete Roof Deck
2. Cant Strip
3. Approved Penetrating Concrete Sealer
4. Performance Spray Grade Membrane, 2mm (80 Mils) Thick
5. Parapet Wall Cap Flashing
6. Geotextile Reinforcement Strips
7. Energy Saving Ceramic White Top Coat 0.5mm (20 Mils) Thick

Typical Metal Roof Remediation Detail



1. Metal Roof Panel
2. Spray Grade Primer Coat For Geotextile Seam Reinforcing
3. Performance Spray Grade Membrane, 1.5mm (60 Mils) Thick
4. Energy Efficient Ceramic White Top Coat 0.5mm (20 Mils) Thick
5. Joint Geotextile Reinforcement Fabric